



### Key Functions

- Quick Setup by Automatic Camera Detection and Setup Wizard & Zeroconfig
- Multiple Profile Recording(Schedule, Pre-Event, Text-In and Event)
- Alarm Handling with History Log and Pre-Alarm Recording
- Simultaneous 3User Access(20Users Registration)
- Text Input for POS.
- Network Time Synchronization
- S.M.A.R.T. Hard Disc Check
- Cross Web Browsing(IE, Safari, Firefox, Chrome)
- Dashboard

### Series Model

- HNR-8418(8CH, 4 Port PoE)

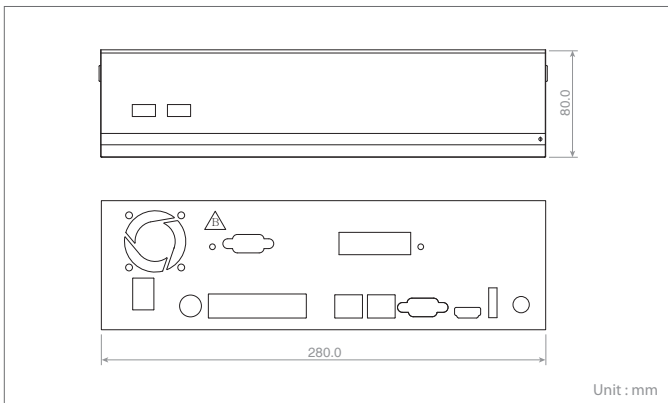
### Software

- SmartManager
- NC-Titanium
- Tive HD
- Titanium Plus VMS

### Optional Accessory

- HAS-02R / HAS-04R(e-SATA Storage)
- HAS-08I(iSCSI Storage)

### Dimension



# HNR-4418(4CH)/8419(8CH)

4/8CH Built-in PoE Network Video Recorder

### Key Features

- Real-Time Full HD Recording and Up to 5MP Recording
- Built-in PoE Switch(IEEE 802.3af/at Support)
- Compatible with Onvif Supporting Cameras
- Full HD Display(VGA, HDMI)
- Built-in Discovery
- Internal 2HDD
- 1EAxe-SATA, 2EAxUSB2.0, iSCSI Support
- Alarm Input(4/8), Alarm Output(4/8)
- 48VDC

### Technical Specifications

Model		HNR-4418	HNR-8419
IP Camera Input	Input	4xRJ45, 1xRJ45	8xRJ45
	Embedded Ethernet Switch	Gigabit Ethernet	
	Embedded PoE Switch	IEEE 802.3af/at	
	Resolution	VGA/D1/960H/960p/1080p/3M/5M	
	Protocol	Onvif v2.3 Base	
Monitor Output	HD Video Output	VGA, HDMI	
	Main Video Resolution	Up to 1920x1080p	
	Screen Split Mode	1/4	1/4/6/8/9
	PIP and Zoom	PIP/Zoom(x2, x4, x6, x8)	
	Audio Output	1xRCA	
Pentaplex Mode	Simultaneous Live, Recording, Playback, Backup		
Mobile Phone Support	Tive HD		
Recording	Frame Rate	Adjustable Frame Rate for Each Camera	
	Recording Mode	Manual, Schedule, Event(Motion, Sensor)	
	Recording FPS	Max. 100/120fps	Max. 200/240fps
	Protect Video/Audio File	Protect Video/Audio from HDD Overwrite	
	Still Image Capture	Live or Playback Image Local Capture and Backup for Legal Evidence	
	Internal Hard Drive	SATA, Up to 2xHDDs(Max. 6TB Capacity)	
External Hard Drive	e-SATA		
Remote Monitoring/Control	Remote View and Control via Gigabit Ethernet		
	Dynamic/Static/Zero Config Support		
	Web Browser, NC-Titanium, Tive		
	NAT Traversal Support		
	Dual Streaming for Live and Recording		
Playback	Playback Screen Mode	1/4	1/4/9
	Search Mode	Date/Time, Calendar, Event, Motion, Protect, Capture, VCA, Text	
Alarm Control	External Sensor Input	4CH NC/NO	8CH NC/NO
	Alarm Output	Buzzer, OSD, 4xRelay	
Data Backup	2xUSB 2.0 Flash Memory		
	AVI Format for Easy Viewing, Private Format for Image Authentication		
Others	Video Content Analysis	Yes(with Specific Cameras)	
	POS/ATM	Yes(with VSI/VSSI-Pro)	
	NTP Server/Client	Yes	
	iSCSI	Support	
	System Keyboard	USB and Serial Support	
	Printer	USB or Network Printer	
	Control	IR Remote Control, USB Mouse, Client Software	
	Event Log & Pre-Alarm Record	System/Event Log Management, Pre-Recording for Motion/Sensor	
	Auto Deletion	Setup Recording Duration Per Channel	
	Language	48 Languages Support	
	Power Supply	48VDC/3.1A	
	Power Consumption	Max. 120W	
	Operating Temperature	0~+45°C(+32~+113°F)	
	Operating Humidity	0~ 90%RH	
	Weight(Main Unit)	2.5kg without HDD	
Weight(Packing)	4kg without HDD		
Dimension(Main Unit)	280(W)x80(H)x260(L)mm		
Dimension(Packing)	375x360x195mm		

Specifications are subject to change without notice.