

HCGI-N41NN(P)V2S22

700TVL D&N IR VP Dome Camera



Key Functions

- LSC(Lens Shading Correction)
- HLC(High Light Compensation)
- Motion Detection
- Privacy Masking
- Coaxial Communication

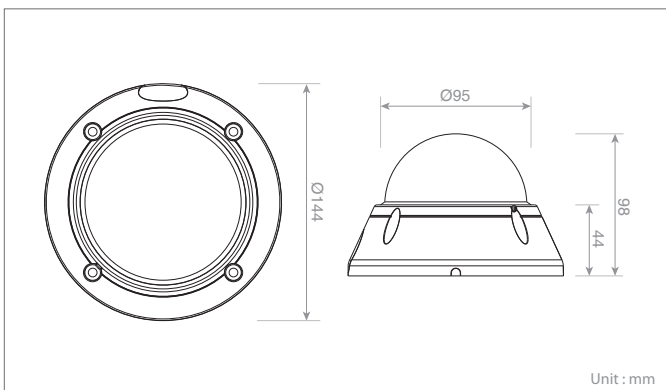
Series Model

- HCG-N41NN(P)V2S22-Without IR LED

Optional Accessory

- HDB243(Wall Mount)
- HVPWB/HVPWB2(Wall Mount)
- HVPCB/HVPCB2(Ceiling Mount)
- HCM150(Corner Mount)
- HCM151(Pole Mount)

Dimension



Key Features

- 1/3" 960H CCD
- 700TVL Horizontal Resolution
- Digital WDR
- Day & Night(IR Cut Filter)
- 2DNR(Digital Noise Reduction)
- Smart IR(24 IR LEDs)
- IP66, Vandal Proof

Technical Specifications

Model	HCGI-N41NNV2S22 / NTSC	HCGI-N41NPV2S22 / PAL
POWER		
Power Source	DC12V±10%	
Power Consumption	250mA(3.0 Watts)-IR LED On	
GENERAL		
Image Sensor	1/3" 960H CCD	
Total Pixels	NTSC : 1,020(H)×508(V)	PAL : 1,020(H)×596(V)
Effective Pixels	NTSC : 976(H)×494(V)	PAL : 976(H)×582(V)
Scanning System	2:1 Interlace	
Scanning Frequency	NTSC : 15.734KHz(H), 59.94Hz(V)	PAL : 15.625KHz(H), 50Hz(V)
Sync. System	Internal	
Electronic Shutter	NTSC : 1/60~1/100,000sec	PAL : 1/50~1/100,000sec
Resolution	700 TV Lines(Color)	
Min. Illumination	0.1 Lux(Color), 0 Lux(B/W, IR LED On)@F1.2, 50IRE	
Video Output/IR LED/Sensor	IR LED 24EA(850nm/40 degree), Sensor 1EA	
LED Lighting Distance	25M	
Video Output	1.0 Vp-p(75 ohm, Composite)	
S/N Ratio	More Than 50dB(AGC Off)	
Camera Control	OSD(Joystick Switch, Coaxial Communication)	
FUNCTION		
Lens	DC	
Shutter	Auto, 1/60(1/50), Flickless, 1/250~1/100,000sec	
Brightness	0~255	
Backlight	Off/BLC/HLC(High Light Compensation)	
AGC	Off/Low/Mid/High	
DWDR	On/Off	
White Balance	ATW2/ATW1/Manual/AWC->SET/ANTI.CRL	
Day & Night	Auto/Color/B&W	
D & N/B/W	Burst	On/Off
	IR Smart	On/Off
	IR Level	Low/High
	Camera Title	On/Off
	Motion Detection	On/Off
	Privacy Masking	On/Off
	Parking Line	On/Off
	Lens Shading	On/Off(0~255)
	2DNR	On/Off
	Mirror	On/Off
Special	Font Color	Font 15 Color, ID&Title 15 Color
	Contrast	0~255
	Sharpness	0~31
	Display	CRT/LCD/USER
	Nega Image	On/Off
	Language	English/Traditional Chinese/German/French/Spanish/Japanese/Russian/Portuguese/Simplified Chinese
DPC	Dead Pixel Cancellation(Auto 247 Points)	
Reset	Not Save/Return	
CONNECTOR & ETC		
Power Input	DC Jack	
Video Output	BNC Connector	
Lens Mount	Fixed Mount	
Lens	f=2.8~12mm F1.2~360 Varifocal	
Operating Temperature	14~122°F(-10~+50°C)	
Operating Humidity	0~96%(Non-Condensing)	
Ingress Protection	IP66	
Dimension	144(Ø)×98(H)mm	
Weight	515g	

Specifications are subject to change without notice.