

# HCUI-N41NN(P)V2U5

700TVL D&N IR Bullet Camera



## Key Functions

- LSC(Lens Shading Correction)
- HLC(High Light Compensation)
- Motion Detection
- Privacy Masking
- Coaxial Communication

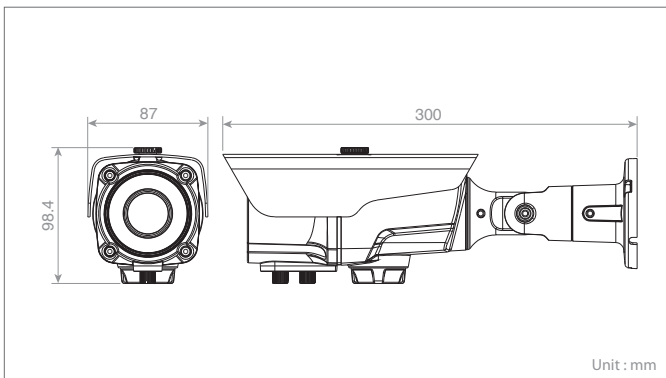
## Series Model

- HCUI-N41NN(P)V5U5-6-50mm Vari-Focal Lens
- HCUI-N41KN(P)F3C1-3.6mm Fixed Lens

## Optional Accessory

- HJB200(Junction Box)

## Dimension



## Key Features

- 1/3" 960H CCD
- 700TVL Horizontal Resolution
- Digital WDR
- Day & Night(IR Cut Filter)
- 2DNR(Digital Noise Reduction)
- Smart IR(42 IR LEDs)
- IP66

## Technical Specifications

Model	HCUI-N41NNV2U5 / NTSC	HCUI-N41NPV2U5 / PAL
<b>POWER</b>		
Power Source	DC12V±10%	
Power Consumption	420mA(Max 5.1 Watts)-IR LED On	
<b>GENERAL</b>		
Image Sensor	1/3" 960H CCD	
Total Pixels	1,020(H)×508(V)	1,020(H)×596(V)
Effective Pixels	976(H)×494(V)	976(H)×582(V)
Scanning System	2:1 Interlace	
Scanning Frequency	15.734KHz(H), 59.94Hz(V)	15.625KHz(H), 50Hz(V)
Sync. System	Internal	
Electronic Shutter	1/60~1/100,000sec	1/50~1/100,000sec
Resolution	700 TV Lines(Color)	
Min. Illumination	0.1 Lux(Color), 0 Lux(B/W at IR On)@F1.2, 50IRE	
Video OutputIR LED/Sensor	IR LED 42EA(850nm/40 degree), CDS 1EA	
LED Lighting Distance	40M	
Video Output	1.0 Vp-p(75ohm, Composite)	
S/N Ratio	More Than 50dB(AGC Off)	
Camera Control	OSD(Joystick Switch, Coaxial Communication)	
<b>FUNCTION</b>		
Lens	DC	
Shutter	Auto, 1/60(1/50), Flickless, 1/250~1/100,000sec	
Brightness	0~255	
Backlight	Off/BLC/HLC(High Light Compensation)	
AGC	Off/Low/Mid/High	
DWDR	On/Off	
White Balance	ATW1/ATW2/Manual/AWC->Set/ANTI.CRL	
Day & Night	Auto/Color/B&W	
D & N/B/W	Burst	On/Off
	IR Smart	On/Off
Special	IR Level	Low/High
	Camera Title	On/Off
	Motion Detection	On/Off
	Privacy Masking	On/Off
	Parking Line	On/Off
	Lens Shading	On/Off(0~255)
	2DNR	On/Off
	Mirror	On/Off
	Font Color	Font 15 Color, ID&Title 15 Color
	Contrast	0~255
Language	Sharpness	0~31
	Display	CRT/LCD/User
	Nega Image	On/Off
	Language	English/Traditional Chinese/German/French/Spanish/Japanese/Russian/Portuguese/Simplified Chinese
DPC	Dead Pixel Cancellation(Auto 247 Points)	
Reset	Not Save/Return	
<b>CONNECTOR &amp; ETC</b>		
Power Input	DC Jack	
Video Output	BNC Connector	
Lens Mount	Fixed Mount	
Lens	f=2.8~12mm F1.2~360 Vari-Focal Lens	
Operating Temperature	-10~+50°C (14~122°F)	
Operating Humidity	0~96%(Non-Condensing)	
Ingress Protection	IP66	
Dimension	87(W)×98.4(H)×300(D)mm	
Weight	860g	

Specifications are subject to change without notice.