

HDB-N15DN(P)B8

1000TVL WDR Mega Analog Camera



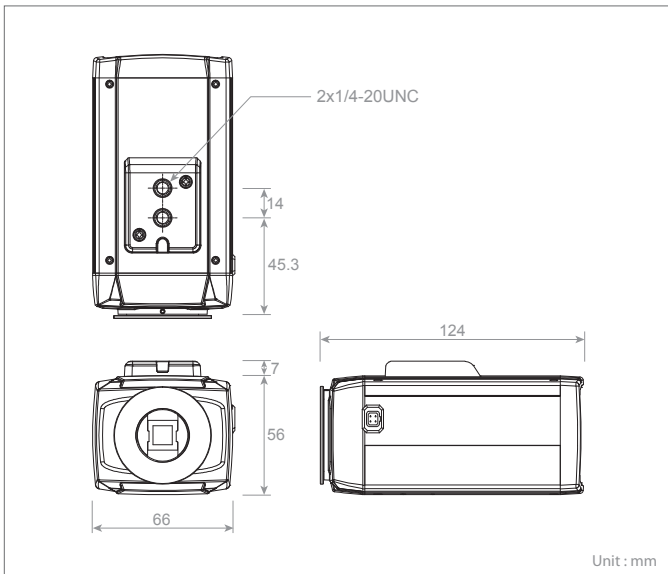
Key Functions

- Defog
- Smart Digital Zoom
- LSC(Lens Shading Correction)
- HSBLC(Hightlight Suppression BLC)
- Motion Detection
- Privacy Masking
- Coaxial Communication

Optional Accessory

- HCH808(Housing)
- HCS 161/170/171(Housing Bracket)
- HCS-805E/811S(Camera Bracket)

Dimension



Key Features

- 1/3" 1.3M Sony Exmor CMOS Sensor
- 1000TVL Horizontal Resolution
- True WDR
- Day & Night(IR Cut Filter)
- 3DNR(Digital Noise Reduction)
- Sens-Up(~x30)

Technical Specifications

Model	HDB-N15DNB8 / NTSC	HDB-N15DPB8 / PAL
POWER		
Power Source	AC24V/DC12V±10%	
Power Consumption	Max. 3.4 Watts(310mA)	
GENERAL		
Imaging Device	1/3" 1.3M Sony CMOS	
Total Pixels	1,312(H)x1,069(V)	
Active Pixels	1,296(H)x1,041(V)	
Scanning System	Progressive	
Sync. System	Internal	
Resolution	1000TVL	
Min. Illumination	1.0Lux(Color), 0.01Lux(BW)	
Video Output	NTSC/PAL Changed by OSD	
S/N(Y Signal)	More Than 50dB(AGC Off)	
Camera Control	OSD(Tact Switch, Coaxial Communication)	
FUNCTION		
Lens	DC/Manual	
WDR/BLC	Off/WDR/BLC/HSBLC	
Shutter	Auto, 1/60(1/50), FLK~1/50,000sec	
Brightness	1~100	
AGC	0~15	
Sens-Up	Off/x2~x30	
White Balwance	ATW/Push/Indoor/Outdoor/Manual/AWB	
DWDR	On/Off	
Defog	Off/Low/Middle/High	
Day & Night	Auto/Color/B&W	
D & N Auto	D→N Level	0~100
	N→D Level	0~100
	Delay	1~60sec
	Smart IR Level	1~15
Special	LSC(Shading)	On/Off
	Motion Detection	On/Off(4 Zone)
	Privacy Masking	On/Off(8 Polygone)
	3DNR	On/Off(Smart NR)
	D-Effect	Off/Mirror/V-Flip/Rotate
	D-Zoom	Off/x1.0~x62
	Smart D-Zoom	On/Off(x1.0~x62/2 Zone)
	DIS	On/Off
	Freeze	On/Off
	Sharpness	0~15
	Monitor	LCD/CRT
	Gamma	Auto/User/User+Y/0.45~1.0
Defect Detection	On/Off	
Video Mode	NTSC(60Hz)/PAL(50Hz)	
Camera Title	On/Off	
Language	ENG/JPN/CHN1/CHN2/KOR/GER/FRA/ITA/SPA/POL/RUS/POR/NED/TUR/HEB/ARB	
RS485	ID	0~255
	Baudrate	2400, 4800, 9600, 19200, 38400
	Protocol	Auto(Pelco-D, Pelco-P)
Reset	Reset	
CONNECTOR & ETC		
Power Input	Terminal Block	
Video Output	BNC Connector	
Auto Iris Output	4-Pin Mini Din Jack(Standard Connection)	
Lens Mount	C/CS Mount(Selected Through Back Focus)	
Operating Temperature	14~122°F(-10~50°C)	
Operating Humidity	0 ~ 96%(Non-Condensing)	
Dimension	66(W)x63(H)x124(D)mm	
Weight	450g	

Specifications are subject to change without notice.