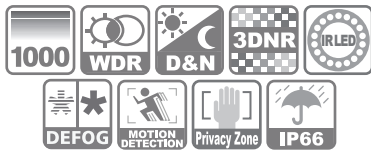


HDUI-N11DN(P)V2C2

1000TVL WDR IR Mega Analog Bullet Camera



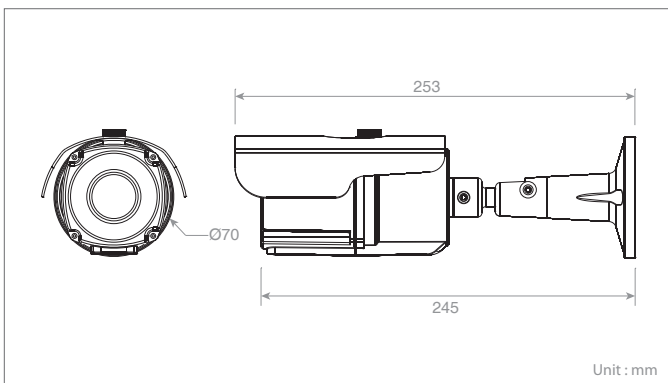
Key Functions

- Defog
- Smart Digital Zoom
- LSC(Lens Shading Correction)
- HSBLC(Hightlight Suppression BLC)
- Motion Detection
- Privacy Masking
- Coaxial Communication

Series Model

- HDUI-N15DN(P)V2C2-12VDC/24VAC

Dimension



Key Features

- 1/3" 1.3M Exmor CMOS Sensor
- 1000TVL Horizontal Resolution
- True WDR
- Day & Night(IR Cut Filter)
- 3DNR(Digital Noise Reduction)
- Sens-Up(~x30)
- Smart IR(42 IR LEDs)
- IP66

Technical Specifications

Model	HDUI-N11DNV2C2 / NTSC	HDUI-N11DPV2C2 / PAL
POWER		
Power Source	DC12V±10%	
Power Consumption	Max 5.8 Watts(480mA)	
GENERAL		
Image Sensor	1/3" 1.3M Sony CMOS	
Total Pixels	1,312(H)x1,069(V)	
Active Pixels	1,296(H)x1,041(V)	
Scanning System	Progressive	
Sync. System	Internal	
Resolution	1000TVL	
Min. Illumination	1.0Lux(Color), 0Lux(BW, IR LED On)	
Video Output	NTSC/PAL Changed by OSD	
IR	IR LED	42EA IR LED(850nm)
	Distance	40m
S/N Ratio	More Than 50dB(AGC Off)	
Camera Control	OSD(Joystick switch), Coaxial Communication	
FUNCTION		
Lens	DC	
WDR/BLC	Off/WDR/BLC/HSBLC	
Shutter	Auto, 1/60(1/50), FLK~1/50,000sec	
Brightness	1~100	
AGC	0~15	
Sens-Up	Off/x2/x4/x6/x8/x10/x15/x20/x25/x30	
White Balance	ATW/Push/Indoor/Outdoor/Manual/AWB	
DWDR	On/Off	
Defog	Off/Low/Middle/High	
Day & Night	Auto/Color/B&W	
D & N Auto	D → N Level	0~100
	N → D Level	0~100
Delay	1~60sec	
Smart IR Level	1~15	
LSC(Shading)	On/Off	
Motion Detection	On/Off(4 Zone)	
Privacy Masking	On/Off(8 Polygone)	
3DNR	On/Off(Smart NR)	
D-Effect	Off/Mirror/V-Flip/Rotate	
D-Zoom	Off/x1.0~x62	
Smart D-Zoom	On/Off(x1.0~x62/2 Zone)	
Special	DIS	On/Off
	Freeze	On/Off
	Sharpness	0~15
	Monitor	LCD/CRT
	Gamma	Auto/User/User+Y/0.45~1.0
	Defect Detection	On/Off
	Video Mode	NTSC(60Hz)/PAL(50Hz)
	Camera Title	On/Off
	Language	ENG/JPN/CHN1/CHN2/KOR/GER/FRA/ITA/SPA/POL/RUS/POR/NED/TUR/HEB/ARB
	Reset	Reset
CONNECTOR & ETC		
Power Input	DC Jack	
Video Output	BNC Connector	
Lens Mount	Fixed Mount	
Lens	f=2.8~12mm F1.2~360 Vari-Focal Lens	
Operating Temperature	-10~+50°C (14~122°F)	
Operating Humidity	0~96%(Non-Condensing)	
Dimension	Ø70(W)x245(D)mm	
Weight	590g	
Ingress Protection	IP66	

Specifications are subject to change without notice.