



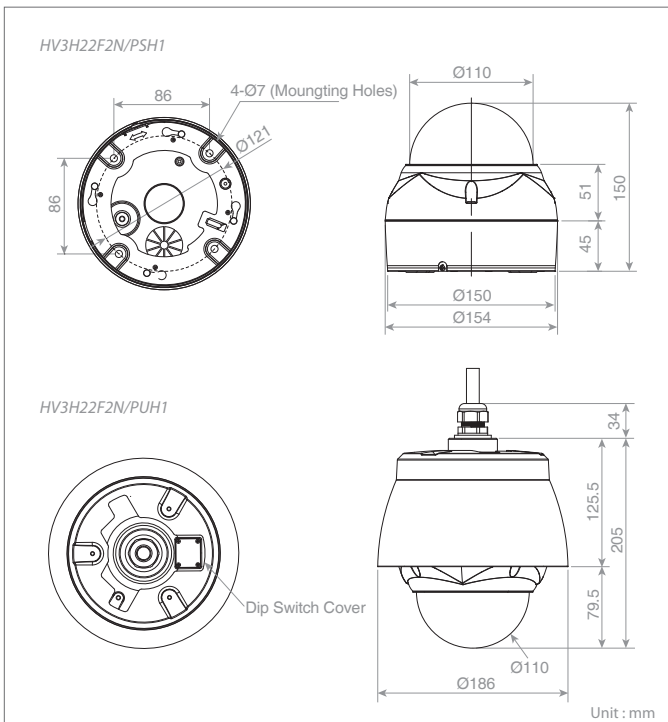
### Key Functions

- DIS(Digital Image Stabilization)
- HLC(High Light Compensation)
- Motion Detection
- Privacy Masking
- 240 Preset Positions
- 8 Tours, 8 Patterns, 16 Auto Scans

### Optional Accessory

- HDB242/242E(Wall Mount)-HV3H22F2N(P)UH1
- HDB241(Ceiling Mount)-HV3H22F2N(P)UH1
- HCM151(Pole Mount)
- HCM150(Corner Mount)
- HCM201(Roof & Parapet Mount)-HV3H22F2N(P)UH1
- HVPWB2(Wall Mount)-HV3H22F2N(P)SH1
- HVPCB2(Ceiling Mount)-HV3H22F2N(P)SH1
- HCS300(Flush Mount)-HV3H22F2N/PSH1

### Dimension



# HV3H22F2N(P)SH1/UH1

x22 WDR Mini Speed Dome Camera

### Key Features

- Optical x22, Digital x16 Zoom
- 1/4" Super-HAD II Dual Scan 960H CCD
- 700TVL Horizontal Resolution
- True WDR(~x512)
- Day & Night(IR Cut Filter)
- 2D, 3DNR(Digital Noise Reduction)
- Sens-Up(~x512)
- IP66, Vandal Proof

### Technical Specifications

Model	HV3H22F2NSH1 / NTSC HV3H22F2PSH1 / PAL	HV3H22F2NUH1 / NTSC HV3H22F2PUH1 / PAL
<b>Electrical</b>		
Input Voltage	24VAC/12VDC	24VAC/12VDC for Dome, 24VAC for Heater&Fan
Power Consumption	12W	12W for Dome, 45W for Heater&Fan
<b>Video</b>		
Imaging Device	1/4" Super-HAD II Dual Scan 960H CCD	
Total Pixels	NTSC : 1,020(H)×508(V)/PAL : 1,020(H)×596(V)	
Effective Pixels	NTSC : 976(H)×494(V)/PAL : 976(H)×582(V)	
Scanning System	2:1 Interlace	
Synchronization	Internal/External	
Frequency	NTSC : 15.734KHz(H), 59.94Hz(V)/PAL: 15.625KHz(H), 50Hz(V)	
Horizontal Resolution	700 TVL	
Min. Illumination	Color: 0.1 Lux, B/W&Slow Shutter: 0.00001 Lux	
S/N(Y signal)	More Than 50dB	
Video Output	1.0 Vp-p, 75Ω Composite	
<b>Lens</b>		
Zoom Ratio	22x(Optical)	
Focal Length	3.9(Wide)~85.8(Tele)mm	
Max. Aperture Ratio	F1.6(Wide)~F3.7(Tele)	
Min. Object Distance	1M	
Angular Field of View	3.9mm-49.5°(H)/85.8mm-2.4°(H)	
Focus	Auto/Manual/One Push/Constant Manual	
<b>Pan/Tilt</b>		
Pan Range	360° Endless	
Pan Speed	Preset : 380°/sec, Manual : Max 380°/sec(Turbo)	
Tilt Range	0~180°(Digital Flip)	
Tilt Speed	Preset : 380°/sec, Manual : Max 300°/sec(Turbo)	
Preset Positions	240	
Auto Scan	16 Auto Scans&1 Auto Pan	
Tour	8	
Pattern	8	
<b>Operational</b>		
On Screen Display	English, French, German, Italian, Spanish, Polish, Portuguese	
Camera Title	On/Off(6Character)	
Day&Night	Auto/Color/BW/Global	
Motion Detection	Yes	
Wide Dynamic Range	On/Off	
Backlight Compensation	Off/BLC/HLC	
Digital Image Stabilization	Off/On	
Privacy Masking	8	
Digital Noise Reduction	3D/2D	
Digital Slow Shutter	On/Off(Max. 512x)	
White Balance	AWB/WAWB/Indoor/Outdoor/Manual	
Electronic Shutter Speed	1/60(50)~1/100,000	
Digital Zoom	16x	
AGC	Min/Low/Mid/High	
Communication	RS-485	
Protocol	Pelco-P, Pelco-D, FastraxII, FastraxIIE	
Alarm	4 Inputs, 1 Output(5VTTL)	
<b>Environmental</b>		
Operating Temperature	-10~50°C	-30~50°C
Humidity	0~90% RH(Non-Condensing)	
<b>Mechanical</b>		
Dimension	Ø154x140(H)mm	Ø186x205(H)mm
Weight	Approx. 1.5kg	Approx. 2.2kg
Ingress Protection	IP66	

Specifications are subject to change without notice.